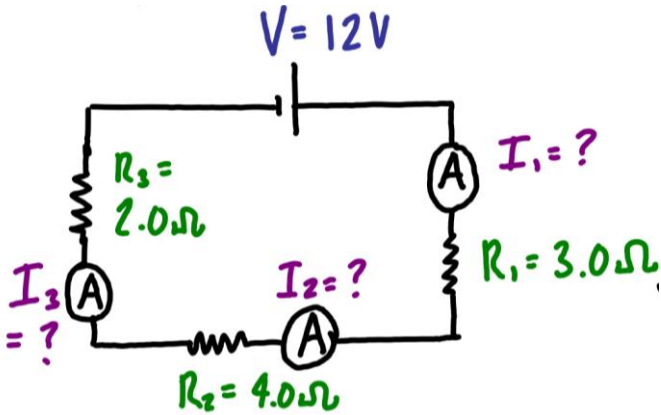


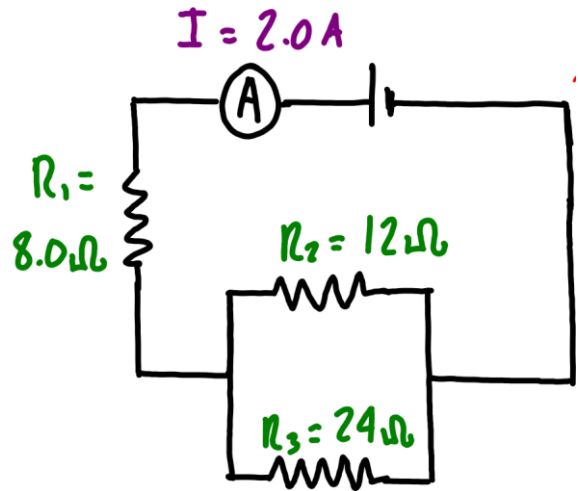
**Worksheet 7.2 Kirchhoff's Laws**

*In class examples*

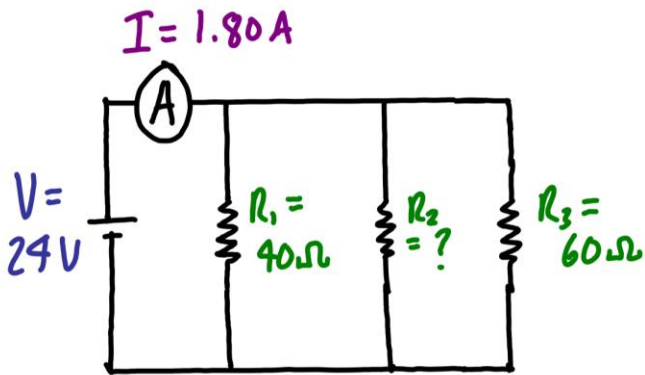
1) What are the values of  $I_1$ ,  $I_2$ , and  $I_3$ ?



3) What is the potential difference supplied by the power source in this circuit?



2) What is the value of  $R_2$  in the circuit below?



4) What are the values of  $V_1$ ,  $V_2$ , and  $R_2$  in the circuit?

