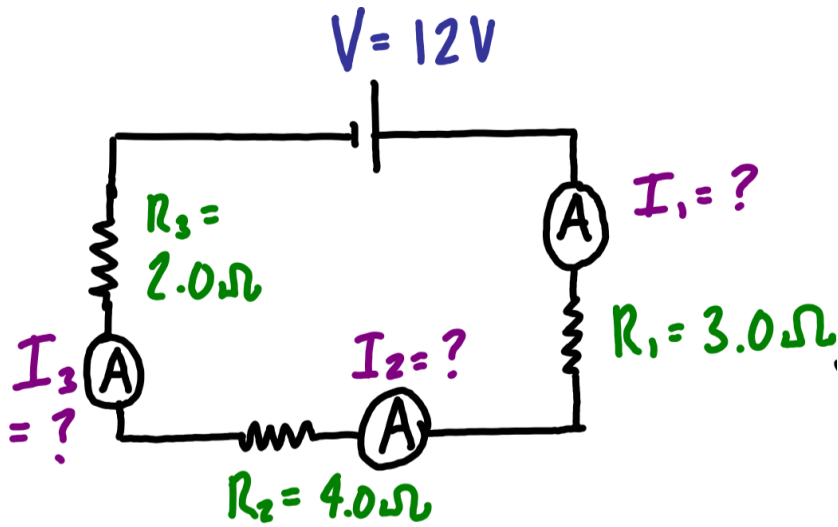


Name: _____

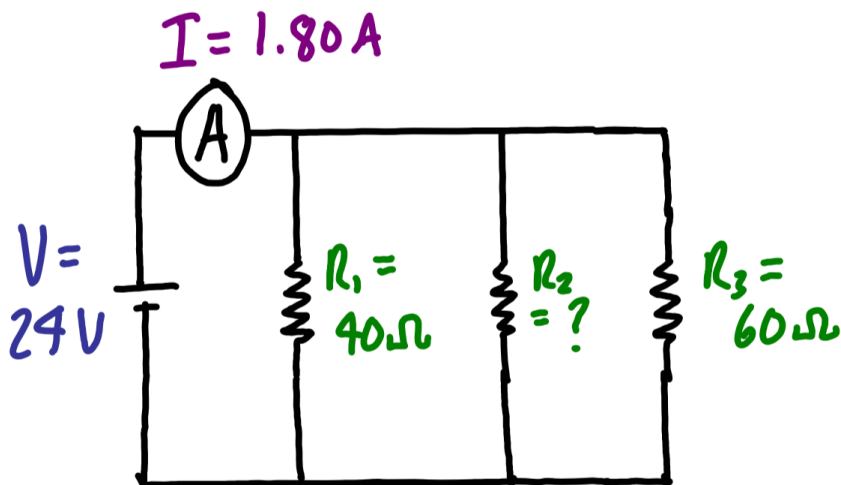
Worksheet 6.2 Kirchhoff's Laws

In class examples

1) What are the values of I_1 , I_2 , and I_3 ?

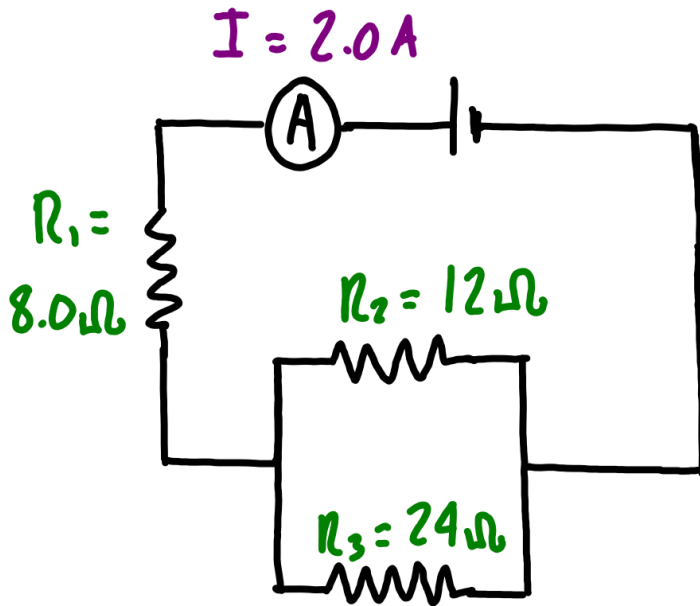


2) What is the value of R_2 in the circuit below?



Name: _____

3) What is the potential difference supplied by the power source in this circuit?



4) What are the values of V_1 , V_2 , and R_2 in the circuit?

